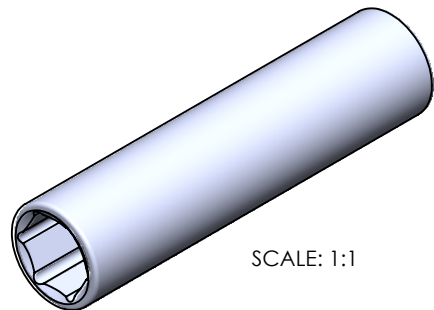
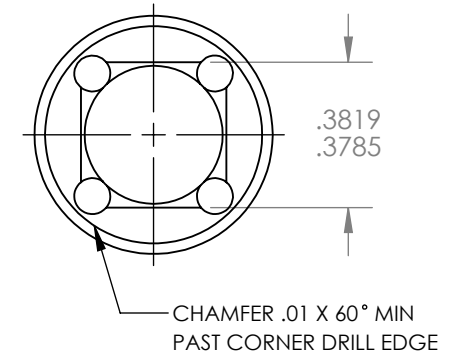
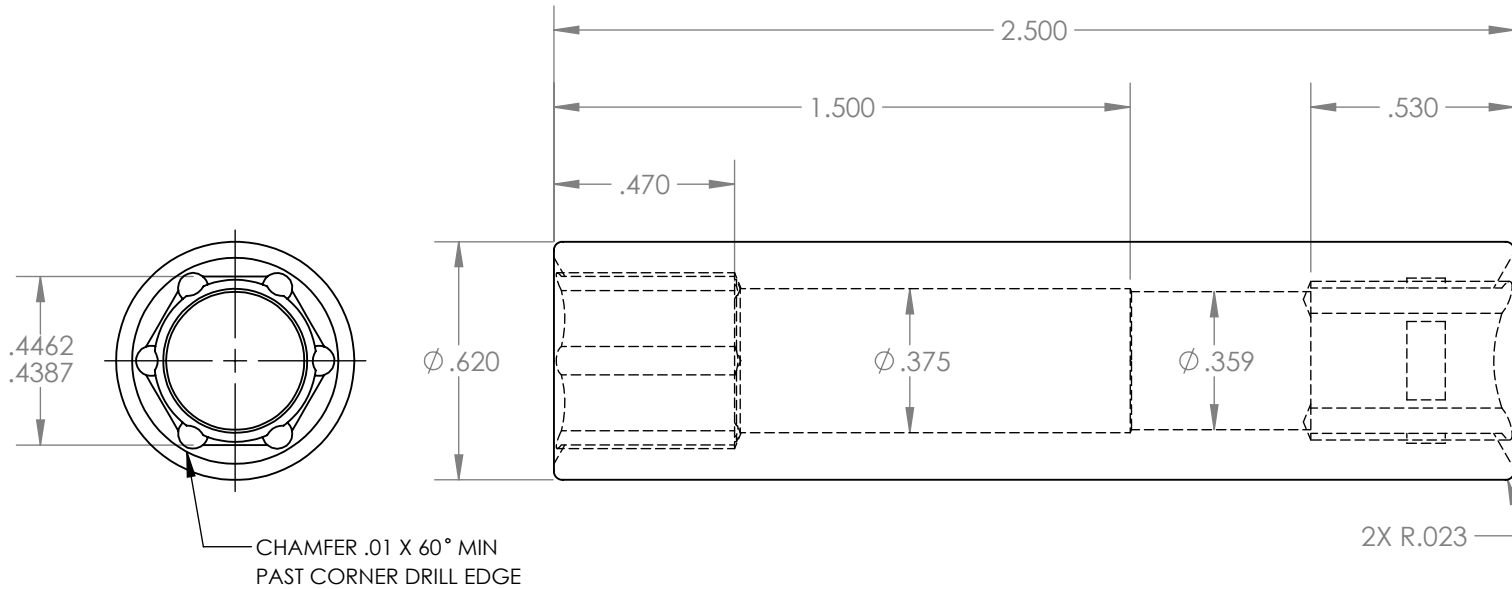


SCALE: 1:1



SCALE: 1:1

UNLESS OTHERWISE SPECIFIED: DIMENSIONS ARE IN INCHES			TOLERANCES: X.XX= ±0.13 X.XXX= ±0.015 X.XXXX= -0.0015		
DRAWN	NAME	SIGN	DATE		
APP'VD	A.T.		06.13.19		
MATERIAL: 17-4 MAGNETIC S.S.					TITLE: 7/16" X 3/8" DRIVE DEEP SOCKET
<i>THIS DRAWING IS THE PROPERTY OF STERITOOL, INC. ANY REPRODUCTIONS OR MODIFICATIONS OF THIS DRAWING OR ITS CONTENTS WITHOUT THE CONSENT OF STERITOOL, INC. IS PROHIBITED.</i>					PART NO. 10603
					SCALE: 2:1